

➤ QUALITY THROUGHOUT ALL ASPECTS OF MANUFACTURE

Manufactured to ISO 9001

All Kormax bronze products are manufactured using continuous or centrifugal casting methods. Bronze produced by either of these methods has significant advantages over sand-cast material. Some of these advantages are:

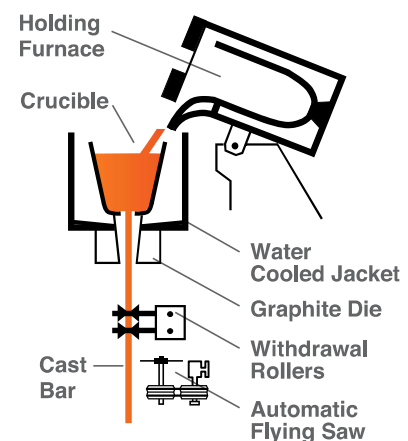
- Increased tensile strength and wearing qualities – by up to 35%
- Higher hardness and ductility
- Freedom from porosity
- Fine grain structure
- Improved machining properties and longer tool life
- Less 'clean-up' allowance needed for machining

All Kormax brass, copper and aluminium products are extruded. This manufacturing process is also well known for the high quality material produced. A brief explanation of these manufacturing processes is given below.

➤ MANUFACTURING PROCESSES

Principle of Continuous Casting (Bronze up to 12" diameter, all Cast Iron)

Molten metal is poured from a furnace into a crucible which is cemented to the neck of a graphite die. The lower half of the die is water cooled so that the metal then sets in this section and is withdrawn through two sets of rollers. A flying saw mounted below the roller cuts the bar to the required length. Continuous cast bar has greatly improved physical properties when compared with normal sand-cast material. Because of the bottom pouring conditions and rapid cooling that the metal receives in the cooling zone, inclusions are completely eliminated, grain structure is tight and even, giving excellent pressure tightness qualities.



Principle of Centrifugal Casting (Bronze approx. 8" to 48" diameter)

Molten bronze is poured from a furnace into a pilot ladle which directs the stream of metal into a horizontal spinning die. This die determines the OD of the casting produced, and the amount of molten bronze fed to the die determines the wall thickness. When the die is fully charged with the correct amount of metal it continues spinning for a predetermined period. On completion of the spinning process the die is removed, then the casting is withdrawn, proof machined and inspected.

